

2011 ASSBT

**Mini-Cassia Factory
Mud System Development**

Evolution of a Solution

**Several years of Learning and
Trying**

In the Beginning

**The problem was encountered in
2006 thru 2009**



2008 Mud Pond Infection

A photograph of a large, dark brown, textured mud pond. The surface is uneven and appears to be covered in a thick layer of foam or silt. In the foreground, there is some dry, yellowish-brown grass. A white text box with a thin black border is centered in the upper half of the image, containing the text "Foam on top of mud pond".

Foam on top of mud pond





Mud rise due to Gas created by infection

-Reduced Loading to Mud Pond

Vegetable Matter Removed

Dirt Removed

Hydraulic Flow Reduced







High G'S

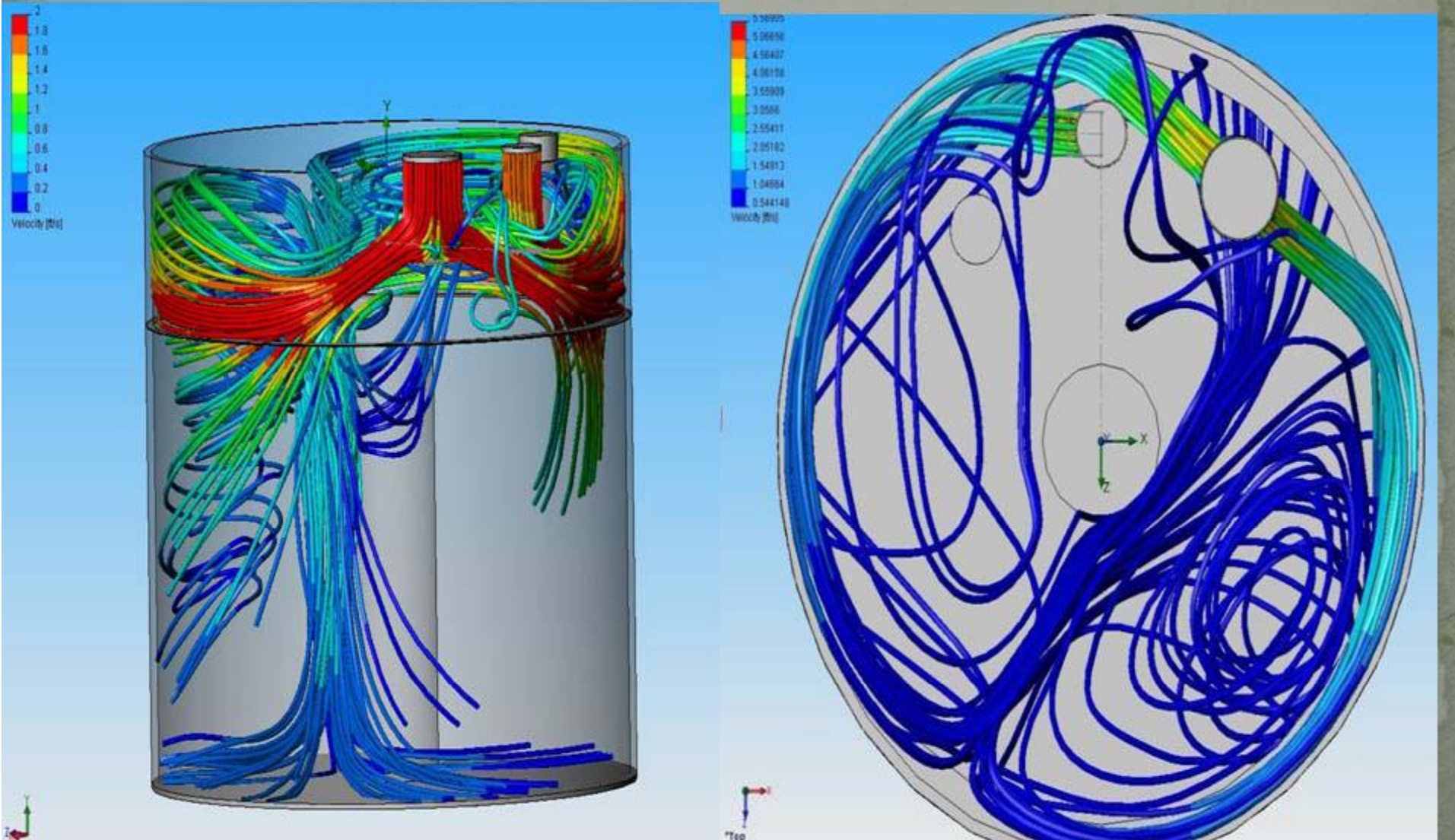


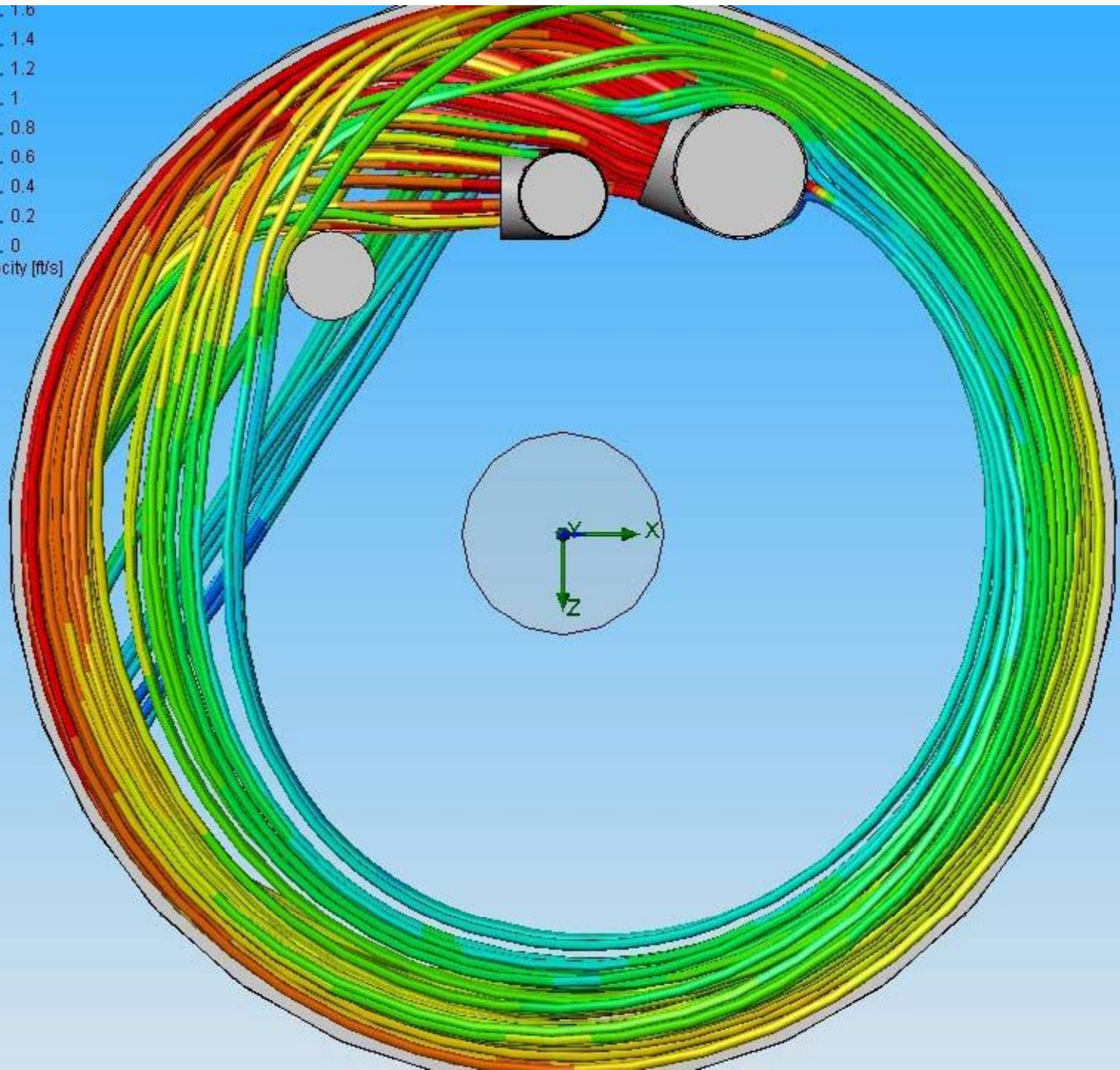
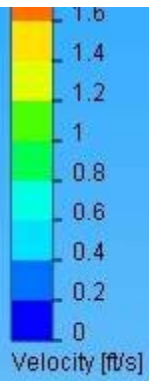


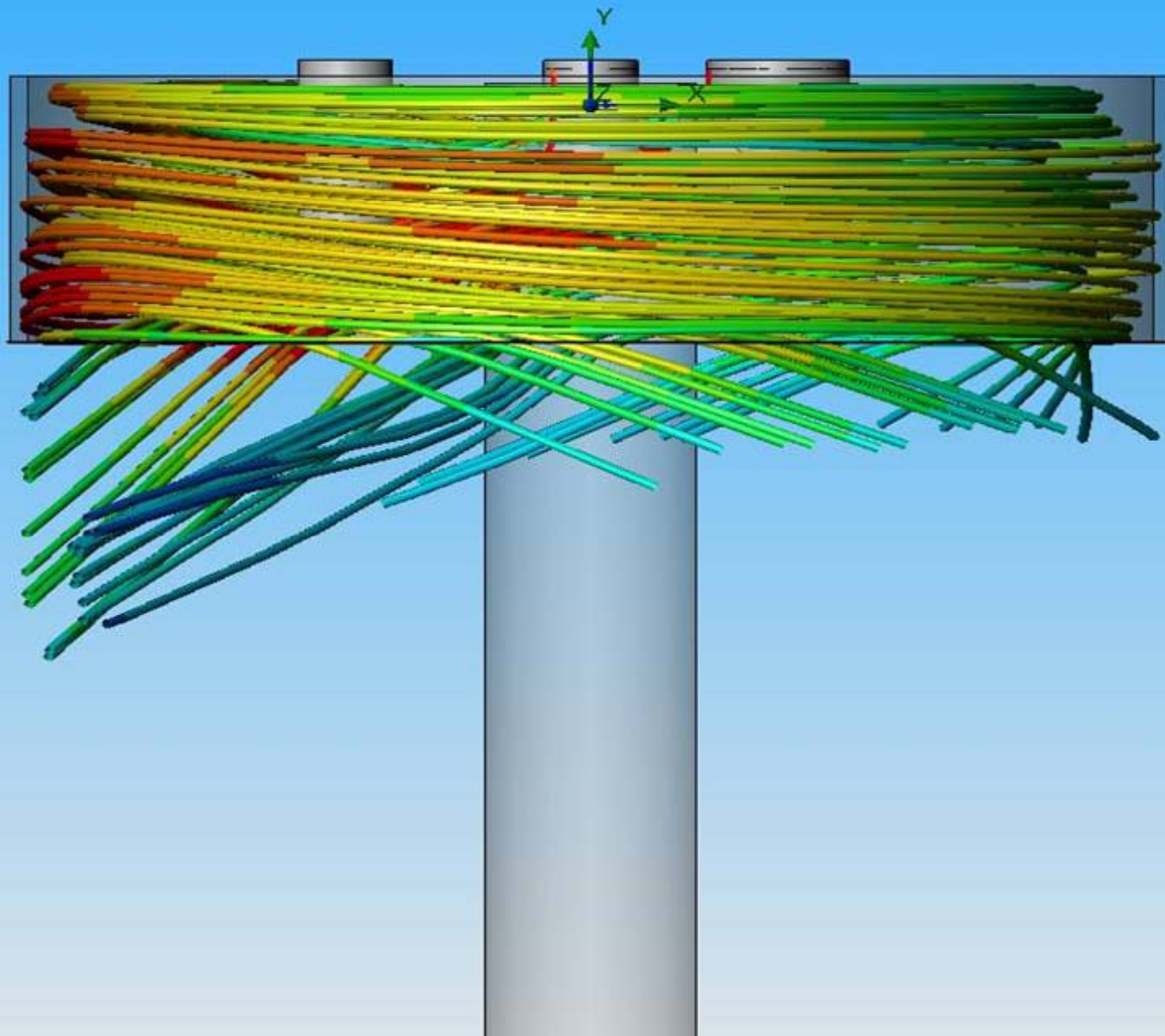
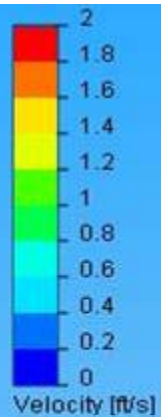
Equipment was Modified

- Clarifier Remodeled to Improve
Settling**
- Lime Addition Relocated**

Clarifier center well analysis











Hydraulic Flow was Reduced

-Thickener Installed

**-Reduced the Volume of Water
with the Mud**





